

Mathematics Problem of the Week (239)

This week's winner is:

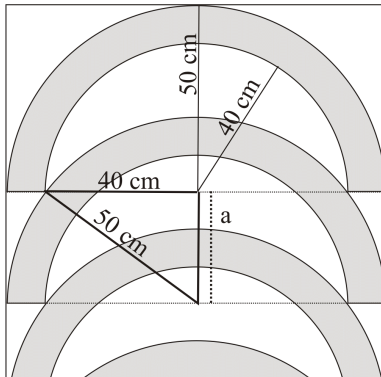
Alex Au Jeong

Contact Lin Hammill (Surrey Fir 348) or Judy Bicep (Richmond,3335) for your prize or email MathProblem@kpu.ca.

Also submitting correct solutions to problem 239 were:

**Maggie (Ming Kit) Lam, Matt Potma,
Faisal Al-Qutub, and David Luna**

Problem 239 solution:



By Pythagoras's Theorem $40^2 + a^2 = 50^2 \Rightarrow a = \sqrt{50^2 - 40^2} = 30$

The length of the plywood is 50cm (for the first one) plus 5a. Thus it must be $50 + 5 \cdot 30 = 50 + 150 = 200$ cm , 2m long.